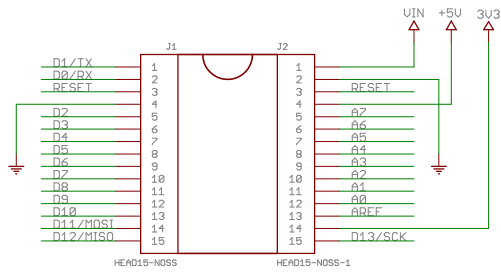
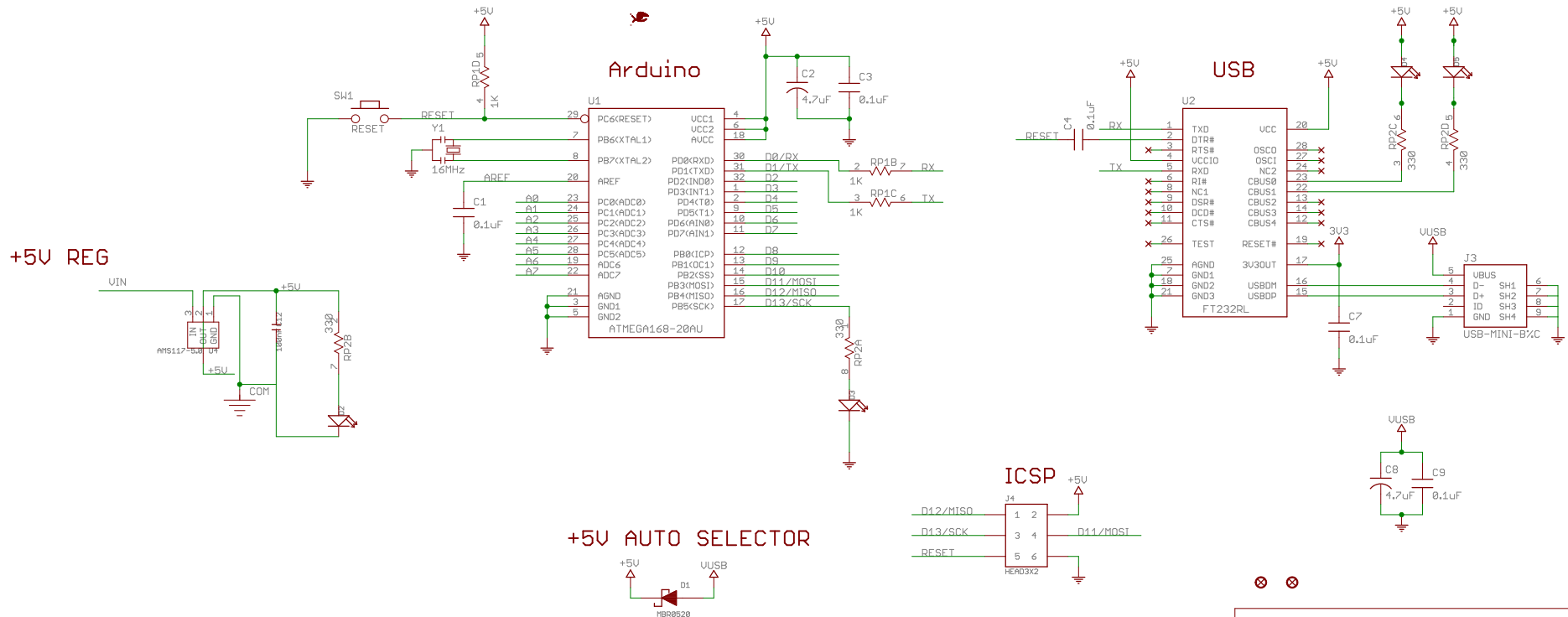


Arduino Nano



*: PWM Pins
 ^: INT Pins
 ~: I2C Pins
 VIN: 7V~20V



www.elecrow.com	
TITLE: Arduino Nano	
Document Number:	REV: 3.0
Date: ?????	Sheet: 1/1

NOT USED
 x 1 RP1A 8 x
 1K